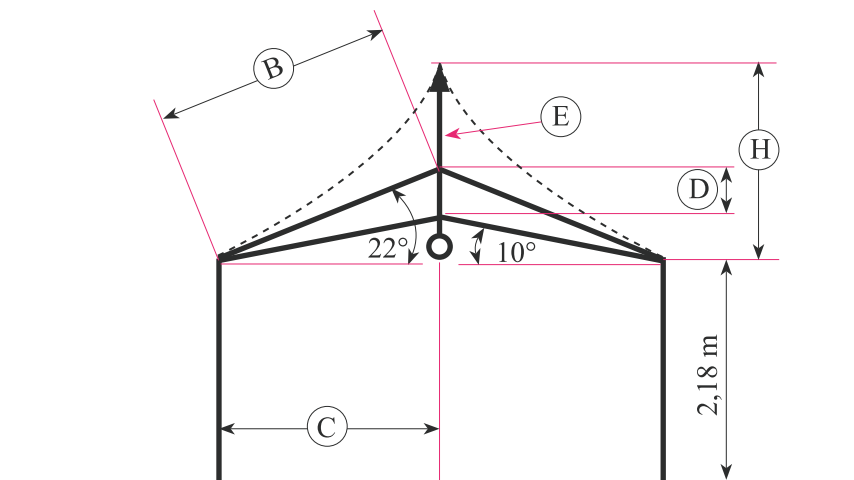


Bestell-Nr.	Brutto
R5007A	5,43 €
R5008	30,55 €
R5024	16,69 €
R5023	102,42 €
R5022	27,61 €
C45	21,16 €
R5002	9,21 €
CR50	3,81 €
PA02	10,20 €
Ta50 Stahl pro lfm	7,90 €

alle Preise zzgl. MwSt.



X	A	B	C	D	E	H
2,00 m	1,835 m	1,310 m	1,206 m	0,220 m	1,500 m	1,000 m
2,50 m	2,335 m	1,186 m	1,565 m	0,300 m	1,500 m	1,250 m
3,00 m	2,835 m	2,061 m	1,925 m	0,380 m	2,000 m	1,500 m
3,50 m	3,335 m	2,439 m	2,284 m	0,460 m	2,000 m	1,750 m
4,00 m	3,835 m	2,815 m	2,642 m	0,540 m	2,500 m	2,000 m

